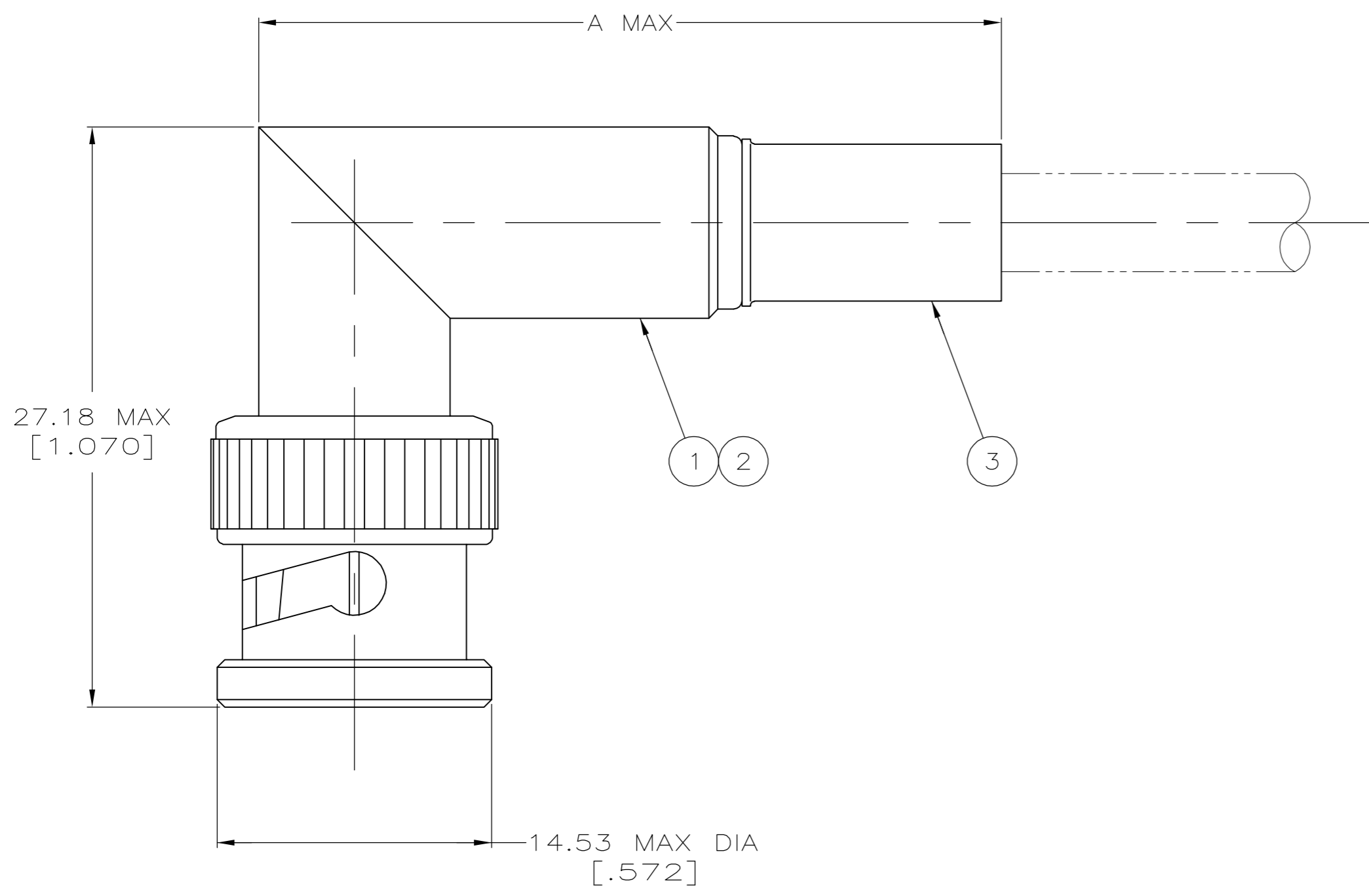
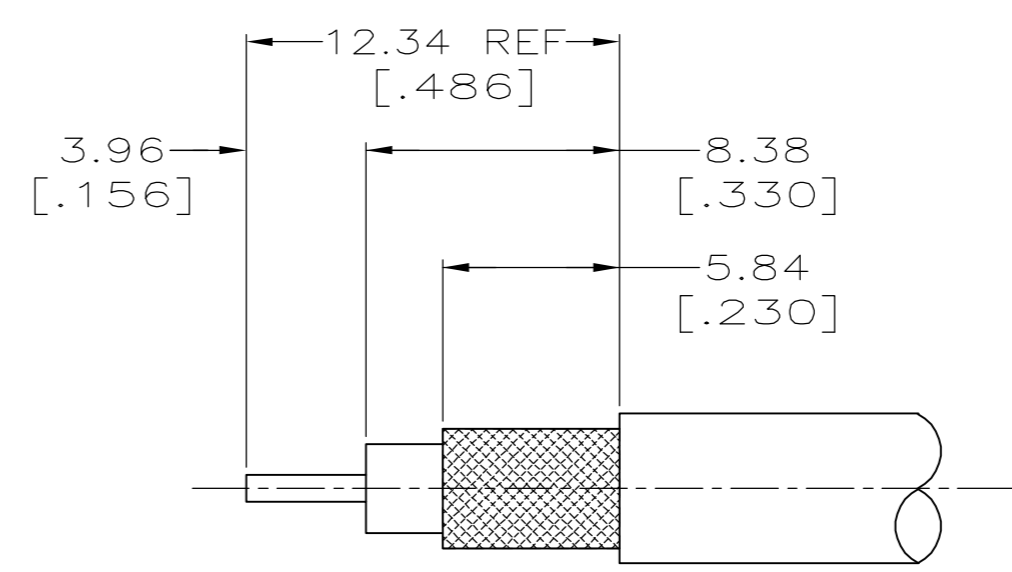


THIS DRAWING IS UNPUBLISHED. RELEASED FOR PUBLICATION  
 © COPYRIGHT BY TYCO ELECTRONICS CORPORATION. ALL RIGHTS RESERVED.

LOC	DIST	REVISIONS					
AJ	16	P	LTR	DESCRIPTION	DATE	DWN	APVD
		N1		REVISED PER ECO-06-018704	05SEP2006	MC	JH



- ① USE WITH PRO-CRIMPER II
- ② SEE SEPERATE RESTRICTED CUSTOMER DRAWING WITH THIS PART NUMBER.
- 3. USE INSTRUCTION SHEET 9781



RECOMMENDED STRIP LENGTH

② OBSOLETE	AT&T 735	58174-1	39.88 [1.570]	9-328666-2	221200-9	413947-2	221402-7
OBSOLETE	-	-	-	-	-	-	221402-6
OBSOLETE	BELDEN 8281, 9231 AND WECO 728	220189-7	41.78 [1.645]	9-50427-2	2-221200-5	413947-3	221402-5
	BELDEN 9145	58085-1	39.88 [1.570]	9-50428-0	2-221200-5	413947-6	221402-4
SUPCD BY 413588-3	BELDEN 8218	58174-1	39.88 [1.570]	9-329461-0	221200-9	413947-2	221402-3
OBSOLETE	RG-59/U, 59A/U, 59B/U	58085-1	39.88 [1.570]	9-50428-0	221200-3	413947-6	221402-2
	BELDEN 9248 & MADISON W/18AWG C/C	58086-1	39.88 [1.570]	9-50427-0	3-221200-2	413947-5	221402-1
	CABLE	DIE SET	A	③ FERRULE QTY=1	② CONTACT QTY=1	① PLUG ASSEMBLY QTY=1	PART NUMBER

THIS DRAWING IS A CONTROLLED DOCUMENT.

DIMENSIONS: mm[inches]	TOLERANCES UNLESS OTHERWISE SPECIFIED: 0 PLC ± - 1 PLC ± - 2 PLC ± 0.41[.016] 3 PLC ± - 4 PLC ± - ANGLES ± -	DWN J. LIPPERT 09JAN97 CHK M. PHILLIPS 09JAN97 APVD M. PHILLIPS 09JAN97 PRODUCT SPEC 108-12020 APPLICATION SPEC	tyco Electronics Tyco Electronics Corporation Harrisburg, PA 17105-3608
MATERIAL -	FINISH -	WEIGHT - CUSTOMER DRAWING	NAME PLUG, RIGHT ANGLE, 75 OHM, COMMERCIAL BNC SIZE A2 CAGE CODE 00779 DRAWING NO C=221402 RESTRICTED TO - SCALE 4:1 SHEET 1 OF 1 REV N1